



## Thermal Transfer Overprinting **Videojet® 6210**

The Videojet 6210 delivers maximum reliability and efficiency for marking variable, high resolution images on flexible packaging and labels — at an affordable price.

The Videojet® 6210 Thermal Transfer Overprinter (TTO) offers a proven and cost-effective solution for users ready to migrate to a digital solution from a non-digital solution such as hot stamp or roller coders. It is ideal for lower speed intermittent and continuous motion flexible packaging applications. The 6210 is well-suited for variable data coding in the snack food, bakery, confectionery, frozen and refrigerated foods, bagged fresh vegetables and dried fruits markets.



### Uptime Advantage

- Clutchless ribbon drive maintains consistent ribbon tension, virtually eliminating ribbon breaks and ribbon related downtime
- Simple ribbon cassette design makes ribbon replenishment fast
- 600 metre ribbon length requires less frequent ribbon changes than hot stamp or other competitive TTO systems

### Built-in productivity

- Bi-directional ribbon drive allows unused ribbon to be recaptured after each print
- Delivers more prints per roll and a low cost of ownership
- Offers 300 dpi print resolution for high quality codes up to 32 mm (1.26 in) wide at speeds up to 125 packs/minute

### Code Assurance

- Advanced coder software virtually eliminates set-up errors
- Range of customer selectable rules and permissions along with simple message selection reduce the potential for operator errors
- WYSIWYG image display reduces set up errors

### Simple usability

- Intuitive, graphical user interface with 5.7-inch colour touchscreen incorporates easy to learn icon-based controls, helping to make set-up fast and easy
- Variable date and time fields are automatically updated eliminating the time and effort spent changing stamps

# Videojet® 6210

## Thermal Transfer Overprinting

### Printhead

32 mm, 300 dpi (12 dots / mm)

### Print Area

Continuous mode: Max. 32 mm x 40 mm (1.26" x 1.57")  
Intermittent mode: Max. 32 mm x 34 mm (1.26" x 1.34")

### Printing Modes

Continuous & Intermittent modes in the same machine

### Print Speed

Intermittent: 50 mm/sec. to 200 mm/sec. (2.0"/sec to 7.9"/sec)  
Continuous: 40 mm/sec. to 500 mm/sec. (1.6"/sec to 19.7"/sec)

### Operator Interface

5.7" Colour QVGA CSTN (240 x 320 pixels) LCD and touch screen  
WYSIWYG print preview  
On-board diagnostics  
3 levels of password protection  
Multiple language support

### Ribbon Drive

Solid-state, clutchless bi-directional ribbon drive, including

- Ribbon break detection
- End of reel detection
- Ribbon consumption indication
- Ribbon Save mode: Interleave (50% saving of ribbon)

### Printing Capabilities

Full downloadable font support using Windows® TrueType® fonts  
Fixed and variable text and numeric data  
User entered text and numeric data (including Chinese)  
Flexible date / time formats (based on internal real time clock)  
Auto best before date calculations  
Flexible shift code formats

### Ribbon Length

600 metres (656 yds.) available in variety of grades and colours

### Ribbon Widths

22 mm and 33 mm (0.87" and 1.30")

### Image Design Management

Created using CLARISOFT® for VJ6210  
Stored locally in printer's internal memory (128MB capacity)  
Loaded via USB memory stick or RS232

### Remote Coder Configuration Software

Clarity® Configuration Manager (included)

### External Communications

USB memory stick, RS232 (binary communications only)

### External Inputs

Print Go  
Inhibit Print  
Quadrature encoder (single phase not supported)

### External Outputs

Fault  
Warning  
Busy  
Printing

### Air Supply

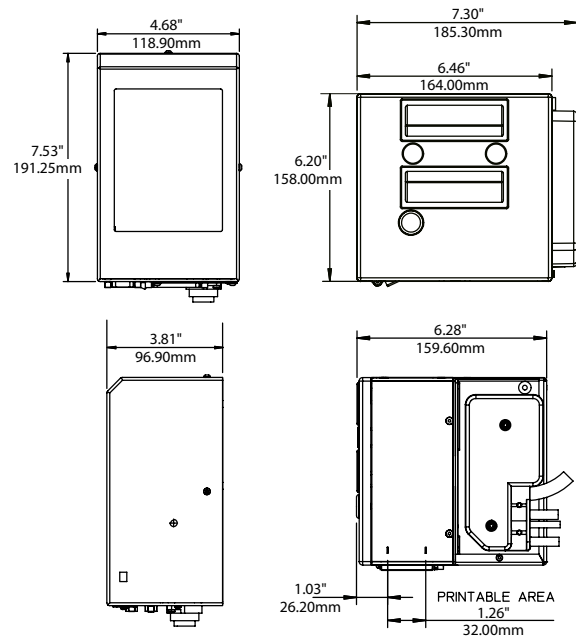
4-6 Bar, locally regulated

### Power Supply

90-240 VAC 50/60Hz

### Operating Temperature

41°-104°F (5°- 40° C)



CERTIFIED  
ISO 9001  
DOCUMENTED QUALITY



Call **0800 500 3023**  
Email **uksales@videojet.com**  
or visit **www.videojet.co.uk**

Videojet Technologies Ltd.  
4 & 5 Ermine Centre, Lancaster Way, Huntingdon,  
Cambridgeshire PE29 6XX / UK

© 2016 Videojet Technologies Inc. — All rights reserved.

Videojet Technologies Inc.'s policy is one of continued product improvement.  
We reserve the right to alter design and/or specifications without notice. Windows is a registered trademark of Microsoft Corporation. TrueType is a registered trademark of Apple Computer, Inc.

Part No. SL000435  
ss-6210-en-0616

